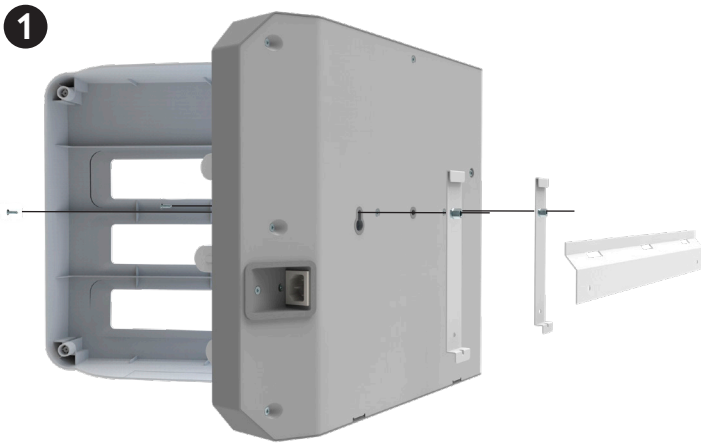


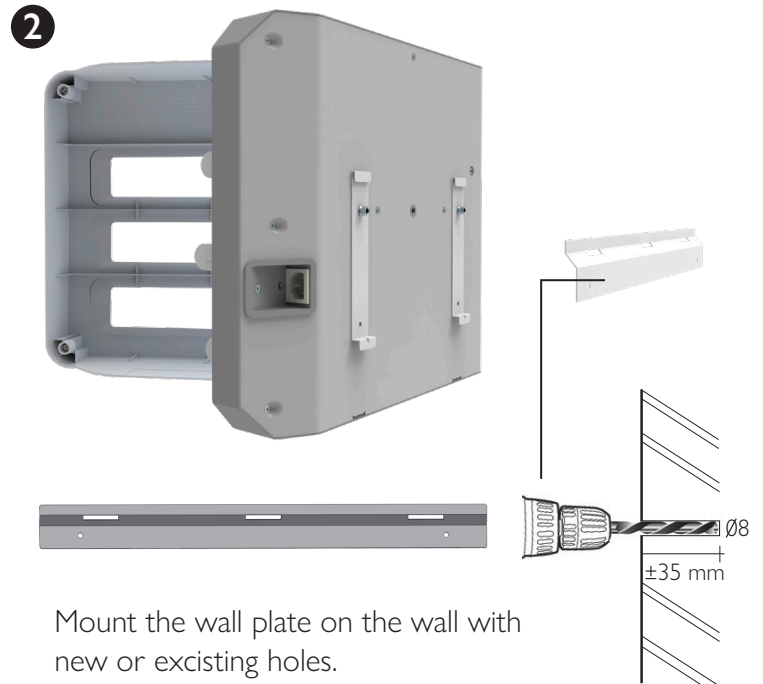
## Wall mounting bracket instruction manual

Additional brackets for installation on an existing wall-mounting plate.

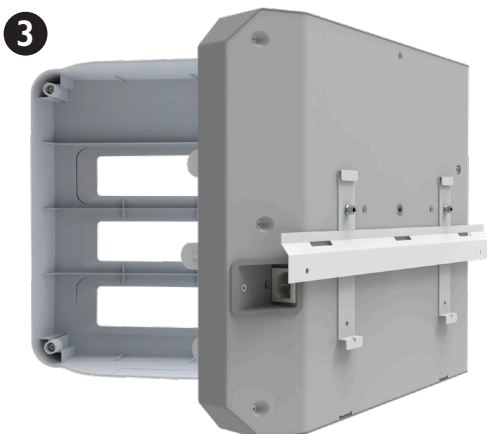
### Mounting WMB to OMNIVEO unit



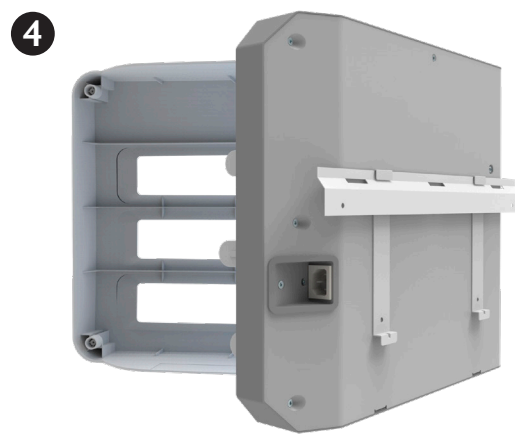
Mount the brackets on unit additional mounting brackets to the appliance using the screws. Lock the screw with a screwdriver.



Mount the wall plate on the wall with new or existing holes.



After mounting the wall plate on the wall the unit can be clicked behind the hooks.



The unit can now be placed on the same location as the previous unit.